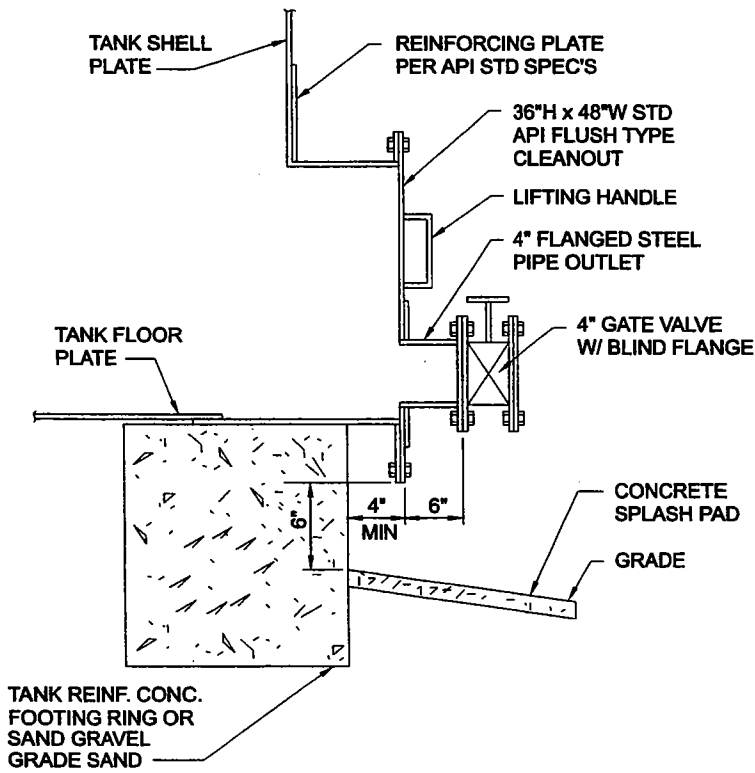
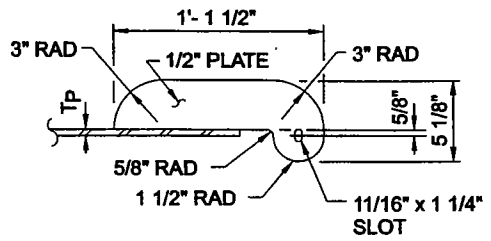


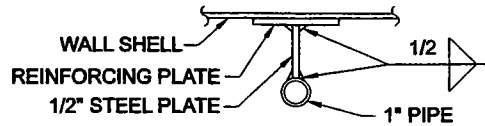
TANK - CLEANOUT DOOR



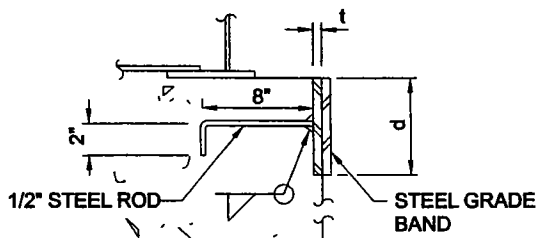
SECTION A-A
NTS



DETAIL "D"
NTS

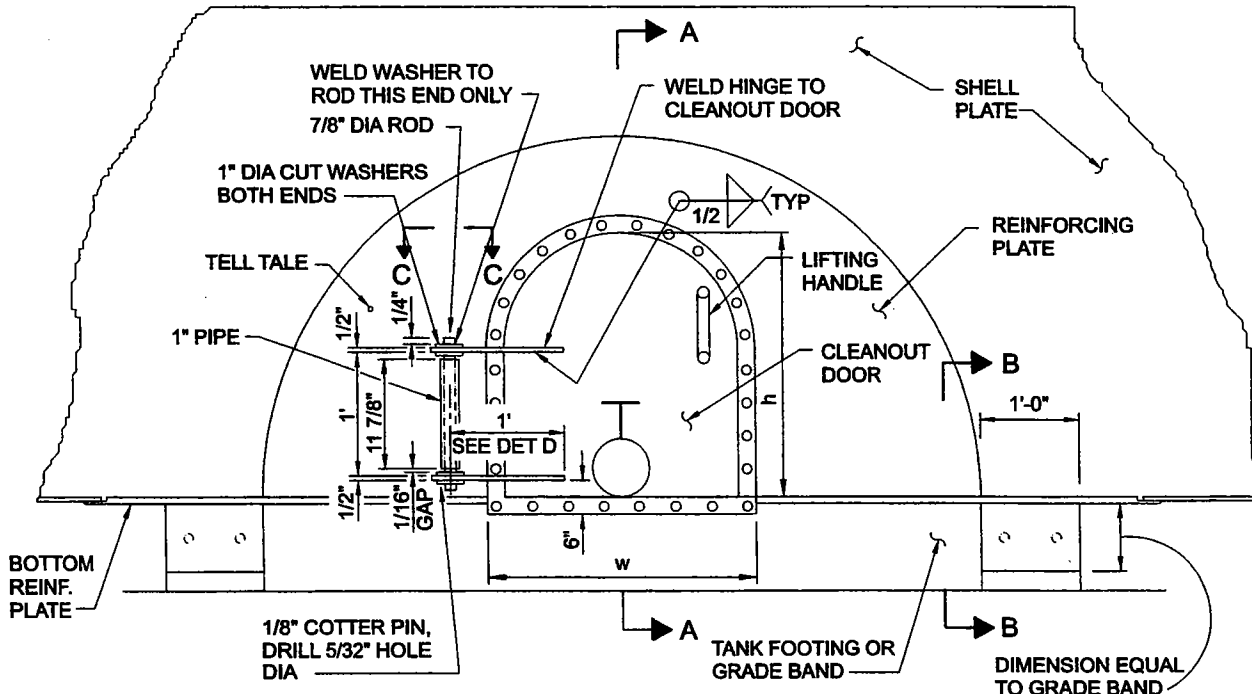


SECTION C-C
NTS



t = THICKNESS EQUAL TO THICKNESS OF GRADE BAND
d = DEPTH EQUAL TO DEPTH OF GRADE BAND

SECTION B-B
NTS



ELEVATION
NTS

LOS ANGELES COUNTY WATERWORKS DISTRICTS

DEPARTMENT OF PUBLIC WORKS

STANDARD PLAN

W-30

APPROVED

M. J. Keel
ASSISTANT DEPUTY DIRECTOR

APRIL 2004

DATE

SHEET 1 OF 2

TANK - CLEANOUT DOOR (CONTINUED)

GENERAL NOTES:

1. THE DIMENSIONS OF REINFORCING PLATES, THICKNESS OF WELDS AND ALIKE ARE TO BE CALCULATED AND SUBMITTED FOR REVIEW. AMERICAN PETROLEUM INSTITUTE (API) STANDARD 650 IS TO BE USED AS REFERENCE.
2. MANHOLE COVER BOLTS, NUTS, AND WASHERS SHALL BE CADMIUM PLATED.
3. WIDTH (w) AND HEIGHT (h) OF DOOR SHALL BE AS SPECIFIED ON PLANS.

LOS ANGELES COUNTY WATERWORKS DISTRICTS

DEPARTMENT OF PUBLIC WORKS

STANDARD PLAN

W-30

APPROVED


ASSISTANT DEPUTY DIRECTOR

APRIL 2004

DATE

SHEET 2 OF 2